



Moonlight

685201

Recommended product

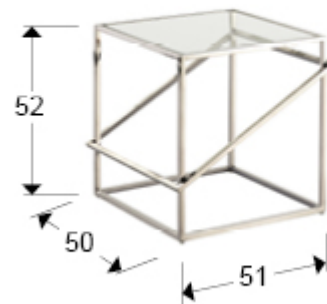
Furniture with lighting

Coffee table with LED light integrated, made of polished stainless steel. Clear tempered glass top of 10 mm. LED stripe hidden by white polycarbonate diffuser. LED stripe 18W, 3,000 K, 296 lm

DRIVER 110-240V, 50-60HZ

GENERAL INFORMATION

Type: Furniture with lighting
Collection: Moonlight



SIZES

Sizes: ↔ 51.0 ↑ 52.0 ↘ 50.0 cm
Weight: 8.8 Kg
Packaging weight 1: 4.0 Kg
Packaging weight 2: 4.8 Kg

SIZES WITH PACKAGING

Weight: 11.9 Kg
Volume: 0.1960m³

TECHNICAL INFORMATION


Electric class: Class 3
Maximum power: 24W
Voltage: 12 V
Frequency: 50/60 Hz
Dimmable: NO
Colour temperature: 3,000 K
Average lifespan: 30,000 h

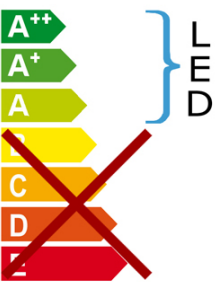


ADDITIONAL INFORMATION

Material: stainless steel, glass
Finish: shine steel, clear

685201

 Esta luminaria lleva lámparas LED incorporadas.
This luminaire contains built-in LED lamps.



Las lámparas de esta luminaria no son recambiables.
The lamps cannot be changed in the luminaire.

874/2012 